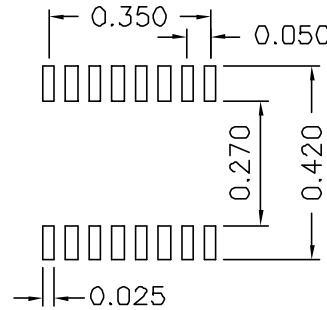
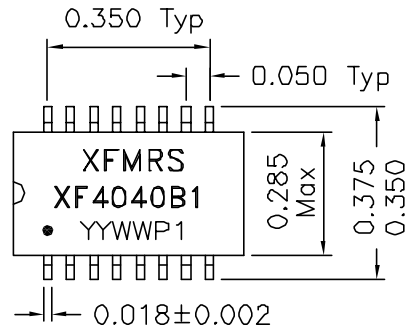
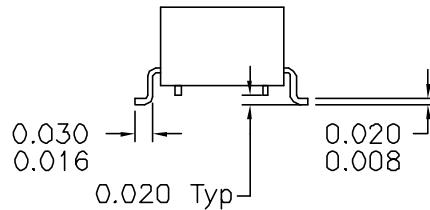
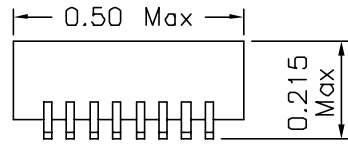
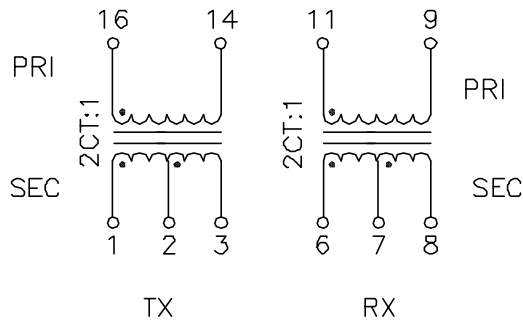


### 1. Dimensions:



SUGGESTED FOOTPRINT

### 2. Schematic:



DOC. REV: A/1

### 3. Electrical Specifications: @25°C

Isolation Voltage: 1500 VAC

Turns Ratio: (16-14):(1-2-3)=1:2CT ±3%

Turns Ratio: (11-9):(6-7-8)=1:2CT ±3%

OCL (16-14): 40uH Min@100KHz 50mV

OCL (11-9): 40uH Min@100KHz 50mV

LL (16-14): 0.10uH Maximum @100KHz 50mV

WITH SEC SHORTED

LL (11-9): 0.10uH Maximum @100KHz 50mV

WITH SEC SHORTED

Cww: (16-1) 10pF Max @100KHz 50mV

Cww: (11-6) 10pF Max @100KHz 50mV

Notes:

1. Solderability: Leads shall meet MIL-STD-202, Method 208D for solderability.
2. Flammability: UL94V-0
3. ASTM oxygen index: > 28%
4. Insulation System: Class F 155°C. UL file E151556
5. Operating Temperature Range: All listed parameters are to be within tolerance from -40°C to +85°C
6. Storage Temperature Range: -55°C to +125°C
7. Aqueous wash compatible
8. SMD Lead Coplanarity: ±0.004\*(0.102mm)
9. Moisture Sensitivity: Level 2
10. Electrical and mechanical specifications 100% tested
11. RoHS Compliant Component

<b>XFMRs Inc</b> www.XFMRs.com		Title: T3/DS3/E3/STS-1 ISOLATION MODULE	
UNLESS OTHERWISE SPECIFIED		P/N: XF4040B1	REV. A
TOLERANCES: .xxx ±0.010		DWN. 李清儿	Nov-30-04
Dimensions in Inch		CHK. 孙小怡	Nov-30-04
SHEET 1 OF 1		APP. BW	Nov-30-04